



(12) **EUROPEAN PATENT SPECIFICATION**

(45) Date of publication and mention  
of the grant of the patent:  
05.03.2003 Bulletin 2003/10

(51) Int Cl.7: **C12Q 1/00, G01N 27/327**

(86) International application number:  
**PCT/US98/18312**

(21) Application number: **98943529.2**

(87) International publication number:  
**WO 99/013101 (18.03.1999 Gazette 1999/11)**

(22) Date of filing: **03.09.1998**

(54) **LOW VOLUME ELECTROCHEMICAL SENSOR**  
**ELEKTROCHEMISCHER SENSOR FÜR KLEINE VOLUMEN**  
**CAPTEUR ELECTROCHIMIQUE POUR FAIBLES VOLUMES**

(84) Designated Contracting States:  
**AT BE CH DE ES FR GB IT LI NL**

• **CHAMBERS, Geoffrey, R.**  
**Northwood Middlesex HA6 3QS (GB)**

(30) Priority: **05.09.1997 US 926326**

(74) Representative: **Modiano, Guido, Dr.-Ing. et al**  
**Modiano, Josif, Pisanty & Staub,**  
**Baaderstrasse 3**  
**80469 München (DE)**

(43) Date of publication of application:  
**21.06.2000 Bulletin 2000/25**

(73) Proprietor: **Abbott Laboratories**  
**Abbott Park, Illinois 60064-3500 (US)**

(56) References cited: **US-A- 5 628 890**  
**EP-A- 0 593 096**

(72) Inventors:  
• **HUGHES, Graham, J.**  
**Headington Oxford OX3 8LP (GB)**

**BEST AVAILABLE COPY**

**EP 1 009 850 B1**

Note: Within nine months from the publication of the mention of the grant of the European patent, any person may give notice to the European Patent Office of opposition to the European patent granted. Notice of opposition shall be filed in a written reasoned statement. It shall not be deemed to have been filed until the opposition fee has been paid. (Art. 99(1) European Patent Convention).

**Description**

## Field of the Invention

5 [0001] The invention relates to electrochemical sensors, biomedical testing, and blood analysis.

## Background of the Invention

10 [0002] Electrochemical assays for determining the concentration of enzymes or their substrates in complex liquid mixtures have been developed. For example, electrochemical sensor strips have been developed for the detection of blood glucose levels. Electrochemical sensor strips generally include an electrochemical cell in which there is a working electrode and a reference electrode. The potential of the working electrode typically is kept at a constant value relative to that of the reference electrode.

15 [0003] Electrochemical sensor strips are also used in the chemical industry and food industry, to analyze complex mixtures. Electrochemical sensors are useful in biomedical research, where they can function as invasive probes, and for external testing (i.e., testing of blood obtained by a needle and syringe, or a lance).

20 [0004] Typical electrochemical sensors for blood analysis measure the amount of analyte in a blood sample by using a working electrode coated with a layer containing an enzyme and a redox mediator and a reference electrode. When the electrodes contact a liquid sample containing a species for which the enzyme is catalytically active, the redox mediator transfers electrons in the catalyzed reaction. When a voltage is applied across the electrodes, a response current results from the reduction or oxidation of the redox mediator at the electrodes. The response current is proportional to the concentration of the substrate. Some sensors include a dummy electrode coated with a layer containing the redox mediator and lacking the enzyme that improves the accuracy and precision of the measurements.

25 [0005] Thin layer electrochemical sensors that have electrodes confined in a covered region of the sensor generally have a venting system for releasing air from the confined electrode region upon displacement by the sample. In a two-mesh electrode construction, the sample wicks along the primary layer and the displaced air is vented from the second mesh layer. See, e.g., U.S. Patent No. 5,628,890.

30 [0006] Reducing the total sample volume necessary to produce a precise and accurate analyte concentration reading by an electrochemical sensor would enhance user convenience. Reducing sample volume is particularly desirable in a blood analysis, because pain, messiness, and time required to stop bleeding generally increase as blood sample size increases. Although sample size reduction is desirable, various constraints severely limit the ways in which this can be accomplished. Constraints include the following. Sample volume must be sufficient to cover the entire electrode area. Reducing electrode area changes the electrode response current, thereby rendering an electrode strip incompatible with a given meter. Where the sample is not applied directly to an electrochemical cell, the total volume required includes the volume necessary to cover a sample loading zone, and a path to the electrodes, as well as the electrode area. The sample loading zone must be easily visible, even to diabetics with impaired vision.

## Summary of the Invention

40 [0007] The invention features an electrode strip for use in an electrochemical sensor for measuring an analyte in an aqueous sample. For various reasons, it can be desirable to apply a sample at one location on an electrode strip and transport all or part of the sample to an electrode area at a different location. This arrangement requires a portion of the sample to fill up a travel path from the sample loading area to the electrode area, i.e., a sample dead volume. The invention features an electrode strip with a reduced sample dead volume. This permits analyte measurement on a sample as small as 2.0 to 2.5  $\mu\text{L}$ .

45 [0008] The electrode strip includes an electrode support and an electrode arrangement on the support. The electrode arrangement includes a working electrode and a reference electrode. The working electrode has an upstream end and a downstream end, and the reference electrode is adjacent to the downstream end of the working electrode. Optionally, the electrode arrangement also includes a dummy electrode.

50 [0009] One or more hydrophilic mesh layers overlay the sample loading area and the electrode arrangement, with the sample loading area being adjacent to the upstream end of the working electrode. A cover layer defines an upper boundary of a cell volume enclosing the electrode arrangement. The cover layer has an aperture located above the sample loading area, with no portion of the aperture located above the electrode arrangement. A dielectric coating impregnates the peripheral regions of the mesh layers, thereby forming an occluded region of the mesh layers. The occluded region overlays a portion of the sample loading area and also defines the side boundaries of the cell volume. The occluded region overlays no portion of the electrode arrangement. The mesh layers draw the sample from the sample loading area into the area immediately above the electrodes, via a sample flow channel, whereby the sample contacts the electrodes.

EP 1 009 850 B1

5 [0010] The electrode strip includes one or more hydrophilic mesh layers. Preferably, the mesh layers have a total thickness between 40 and 200  $\mu\text{m}$ . The mesh layers can be made of an inherently hydrophilic mesh material, or a mesh material coated with a surfactant. Preferably, the mesh material is woven nylon, coated with a surfactant such as FC 170C FLUORAD™. Preferably the mesh layers include a woven mesh material having an open area of about 40 to about 45%, a mesh count of about 95 to about 115 strands per centimeter, a strand diameter of about 20 to about 40  $\mu\text{m}$ , and a thickness of from about 40 to about 60  $\mu\text{m}$ .

[0011] Preferably, the cover layer is substantially impermeable to aqueous liquids. A suitable cover layer is a polyester membrane.

10 [0012] Typically, the electrode strip is between 4.5 and 6.5 mm wide. Typically, the aperture has a width between 2.5 and 3.5 mm and a length between 2.5 and 3.5 mm. For an electrode strip and aperture of these dimensions, the sample path length (i.e., distance from the upstream end of the non-occluded area of the mesh to the downstream end of the non-occluded area) preferably is between 6 mm and 10 mm. More preferably, the sample path length is between 7 mm and 9 mm.

15 [0013] Preferably, the dielectric coating is a hydrophobic material such as POLYPLAST™ or SERICARD™. The dielectric coating forms an occluded region in the mesh layers. The occluded region forms a sample flow channel in the sample loading area. Preferably, the width of the sample flow channel is between 4 mm and 0.5 mm. The width can be uniform or nonuniform. Preferably, the sample flow channel widens in the direction of said electrode arrangement, e.g., the sample flow channel is V-shaped. Preferably, the sample flow channel represents between 10 and 50 % of the mesh layer area within the aperture.

20 [0014] Another feature of the invention is a means of identifying the target area of the electrode by providing a contrast color within the sample loading area. The insulating layer can be colored to contrast with the cover layer, the electrode support, or both. This provides a contrast color at the target area where the sample is applied to the strip that can assist the user in correctly applying the sample to the strip.

25 [0015] Other features and advantages of the invention will be apparent from the description of the preferred embodiment thereof, and from the claims.

Brief Description of the Drawings

30 [0016]

Fig. 1 is an exploded view of an electrode strip according to one embodiment of the invention.

Fig. 2 is a perspective view of the assembled strip of Fig. 1.

35 Fig. 3 is a graph summarizing data from tests comparing a conventional electrode strip with an electrode strip having a reduced dead volume. Reference glucose concentration (mM) is on the X axis. Calibrated response (mM) is on the Y axis.

Figs. 4A-4F are top views of apertures and sample loading areas of low volume electrode strips. Figs. 4A-4F illustrate examples of sample flow channel patterns or geometries according to the invention.

40 Figs. 5A and 5B are top views of a preferred embodiment of the invention. In Fig. 5A, the cover layer is present. In Fig. 5B, the cover layer has been removed.

Description of the Preferred Embodiments

45 [0017] Sample volume must be great enough to cover the the electrode entire electrode area, including the working electrode, reference electrode, and dummy electrode, if present. Incomplete coverage of the entire electrode area can cause erroneous measurements.

50 [0018] Working electrode area and dummy electrode area must be compatible with electrical current requirements of the meter system with which the electrode strip is used. The current response generated by the electrodes and measured by the meter is directly proportional to the area of the working and dummy electrodes. Changes in response current caused by changes in electrode area will make the electrode incompatible with calibration parameters in a previously compatible meter system.

[0019] Thin layer sensors having electrodes in a covered area of an electrode strip require a sample loading zone from which the sample travels to the electrode area. This imposes a volume requirement greater than the volume required to cover the electrode area alone. The total volume requirement thus equals the volume required to cover the electrode area plus the sample loading area plus the sample flow channel area between them.

55 [0020] Proper sample application is essential for accurate and reliable operation of an electrochemical sensor system. Therefore, the sample loading area must have a size and color that make it easily visible to the user, including diabetic users, who often have impaired vision. The size of the application zone significantly affects sample dead volume.

[0021] The thickness of the sample layer between the electrode surface and the electrode strip cover layer is determined by the thickness of mesh layers used in strip construction. The electrochemical assay reaction can occur in a thinner section of the sample layer than that required to transport the sample to the electrode area by wicking through the mesh. Therefore, a further dead volume constraint is associated with the mesh layers.

5 [0022] By locating the reference electrode downstream from the working electrode, a circuit is not established until the working electrode has been completely covered by the sample and the sample has reached the reference electrode. Consequently, a response is not detected if the sample inadequately covers the working electrode. The mesh layer and the dielectric coating can contribute to the movement of the sample towards the working electrode and reference electrode in a uniform manner. The electrode arrangement can prevent the sample from reaching the reference electrode until the working electrode is substantially or completely covered.

10 [0023] An embodiment of the electrode strip is illustrated in Figs. 1 and 2. Referring to Figs. 1 and 2, the electrode support 1 is an elongated strip of plastic such as PVC, polycarbonate, or polyester. It supports three printed tracks of electrically conducting carbon ink 2. The printed tracks define the positions of the reference electrode 4, the working electrode 5, the dummy electrode 5a, and the electrical contacts 3. The contacts 3 are for insertion into a compatible meter. The elongated portions of the conductive tracks are each overlaid with silver/silver chloride particle tracks 6a, 6b, 6c. Elements 6b and 4 together form the reference electrode.

15 [0024] The working electrode working area 8 is formed from an ink that includes an enzyme, a mediator, and a filler. The working area ink forms a slurry with the sample. The dummy electrode working area 8a is formed from ink that includes a mixture of a mediator and a filler, without enzyme. The respective inks are applied to the positions 5 and 5a of carbon tracks 2 as discrete areas of fixed length. Alternatively, electrode layer 8 can contain a substrate catalytically reactive with an enzyme to be assayed. The conductive material in a preferred embodiment includes particulate carbon having the redox mediator adsorbed thereon.

20 [0025] An electrode printing ink includes a filler, e.g., carbon, and adsorbed redox mediator. Ink for the working electrode also includes an enzyme or a substrate. When the analyte to be measured is blood glucose, the enzyme is preferably glucose oxidase, and the redox mediator is preferably a ferrocene derivative.

25 [0026] The ink can be screen printed. The ink can include an enzyme stabilizer, a film-forming polymer, a filler (e.g., carbon), a redox mediator (e.g., ferrocene or a ferrocene derivative), a buffer, and an enzyme or a substrate. The ink printed on a dummy electrode lacks the enzyme or the substrate.

30 [0027] A surfactant coated mesh layer 10 overlays the electrode arrangement. The mesh layer protects the printed components from physical damage, and facilitates wetting of the electrodes by the aqueous sample. Preferably, the mesh layer extends over the entire sample path, between and including, the sample application area and the electrode arrangement. The mesh can be made of finely woven nylon. Alternatively, any woven or non-woven material can be used. Preferably, the fabric is not more than 70  $\mu\text{m}$  in thickness. Preferably the mesh has a percent open area of about 40 to about 45%, a mesh count of about 95 to about 115 per cm, a fiber diameter of about 20 to about 40  $\mu\text{m}$ , and a thickness of from about 40 to about 60  $\mu\text{m}$ . A particularly suitable mesh is NY64 HC mesh, available from Sefar (formerly ZBF), CH-8803, Ruschlikon, Switzerland.

35 [0028] If the mesh material is hydrophobic (e.g., nylon or polyester), it is coated with a surfactant. If a hydrophilic mesh is used, the surfactant coating can be omitted. Hydrophilicity of the mesh allows the sample to wick along the mesh layer to the electrodes. The wicking properties of the mesh can be controlled by changing the type or amount of surfactant on the mesh material. Various surfactants are suitable for coating the mesh material. A preferred surfactant is FC 170C FLUORAD™ fluorochemical surfactant (3M, St. Paul, MN). FLUORAD™ is a solution of a fluoroaliphatic oxyethylene adduct, lower polyethylene glycols, 1,4-dioxane, and water.

40 [0029] The preferred surfactant loading will vary depending on the type of mesh and surfactant used and the sample to be analyzed. It can be determined empirically by observing flow of the sample through the mesh with different levels of surfactant.

45 [0030] If two mesh layers are used, the second (upper) mesh layer preferably is hydrophilic, but not more hydrophilic than the first (lower) mesh layer. Accordingly, the first mesh layer can have a greater load of surfactant than the second mesh layer. With regard to the first mesh layer, suitable surfactant loading for most applications is about 15-20  $\mu\text{g}/\text{mg}$  of mesh (i.e., about 1.0 percent w/v). With regard to the second mesh layer, suitable surfactant loading for most applications is about 1-10  $\mu\text{g}/\text{mg}$  of mesh.

50 [0031] The mesh layer 10 is held in place by a dielectric coating 11, which impregnates the periphery of the mesh layer. The dielectric coating can be applied by screen printing. The dielectric coating 11 covers no portion of the electrode arrangement. Preferably, the dielectric coating is hydrophobic, so that it efficiently confines the sample. A preferred hydrophobic dielectric coating is POLYPLAST™ (Sericol Ltd., Broadstairs, Kent, UK). A more preferred hydrophobic dielectric coating is SERICARD™ (Sericol).

55 [0032] The uppermost layer on the electrode strip is a cover membrane 13, which can be substantially impermeable. A preferred cover layer is a flexible polyester tape.

[0033] The cover layer defines an upper boundary of the electrochemical cell volume, and thus, the cover layer

determines the maximum depth of the aqueous sample. The cover layer fixes the upper boundary of the cell volume at a predetermined height, which depends on the thickness of the mesh layers. The cell height, and thus maximum sample depth, is selected to ensure a suitable high solution resistance.

**[0034]** The cover layer has an aperture 14 for sample access to the underlying mesh layers. The aperture 14 is located over the sample loading area, which is adjacent to the upstream end of the working electrode. The aperture can be of any suitable size large enough to allow sufficient volume of sample to pass through to the mesh layer. It should not be so large as to expose any portion of the electrode arrangement. The aperture can be formed in the cover layer by any suitable method, e.g., die punching.

**[0035]** In Fig. 1, the dielectric coating 11 forms a V-shaped sample flow channel 30. The dielectric coating 11 surrounds the sample path (sample flow channel plus electrode area) 12, and this geometry reduces the total volume of sample that needs to be applied to the strip. The V-shape of flow channel 30 helps direct the sample toward the electrodes. The dielectric coating 11 can have a color that contrasts with the color of cover layer 13, the color of electrode support 1, or both. The color contrast enhances visibility of the aperture 14, thereby facilitating proper application of a sample to the electrode strip.

**[0036]** Cover layer 13 is peripherally affixed to the strip by means of a suitable adhesive. The cover layer 13 is not affixed in the area of the electrode arrangement or the sample flow channel. Preferably, the cover layer 13 is affixed by means of a hot melt adhesive. The hot melt adhesive typically has a coating weight between 10 and 50 g/m<sup>2</sup>, preferably from 20 to 30 g/m<sup>2</sup>. Pressure sensitive adhesives or other suitable adhesives can also be used. When a heat sensitive dielectric coating is used, e.g., SERICARD™, heat welding of the cover layer should be carried out in a manner that does not damage the dielectric coating.

**[0037]** An adhesive is applied so that the dielectric coating 11 is partially sealed to the cover layer 13, mesh layer 10, and electrode support 1. The layers are adhered to the electrode support by applying pressure and heat in discrete areas on both sides and each end of the electrode strip. Heat and pressure are not applied to the central portion of the strip, which contains the electrode arrangement. Preferably, a portion of the cover layer is not sealed to the dielectric coating. When a sample is applied to the target area of the electrode at aperture 14, the sample passes beneath cover layer 13 through the surfactant coated mesh layer 10, toward the electrodes 4, 5, and 5a.

**[0038]** Optionally, the upper surface of the cover layer can be coated with a layer of silicone or other hydrophobic coating. This helps to drive the applied sample onto the hydrophilic mesh layer at the sample loading area, thus facilitating the application of small volumes.

**[0039]** In use, a sensor strip of the invention is connected, via electrode contacts 3, to a measuring device (not shown). A sample is applied to the sample loading area via aperture 14. The sample moves along the sample flow channel 12. Sample movement is sufficiently impeded by mesh layer 10 so that the sample advantageously forms a uniform front. Air is displaced through the upper portion of mesh layer 10 to and through aperture 14. The sample entirely covers working electrode 5 before reaching reference electrode 4. Arrival of the sample front at the reference electrode completes the circuit and causes a response to be detected by the measuring device.

**[0040]** In some embodiments of the invention, a second mesh layer is used over the first mesh. The second mesh layer can further control the flow of the sample as it travels from the application point toward the electrodes. The second mesh layer can be coated with a surfactant. Preferably, the second mesh layer is hydrophilic, but not more hydrophilic than the first mesh layer. If necessary, the first mesh layer can have a greater load of surfactant than the second mesh layer.

**[0041]** Preferably, the second mesh layer is woven, so that it presents a regular repeating pattern of mesh fibers perpendicular to, and parallel with, the long axis of the electrode strip. Preferably, the second mesh layer is substantially thicker than the first mesh, with larger diameter mesh fibers and larger openings. The second mesh layer can have a thickness of about 100 to 1000 μm, with a thickness of 100 to 150 μm being preferred. Preferably, the second mesh has a percent open area of about 50 to 55%, a mesh count of about 45 to about 55 strands per cm, and a strand diameter of about 55 to about 65 μm. A suitable mesh for use as a second mesh layer is NY151 HC mesh (Sefar, Ruschlikon, Switzerland).

**[0042]** Referring to Figs. 4A-4F, the pattern or geometry of the sample flow channel 30, can vary. The sample flow channel 30 is formed by impregnation of a hydrophobic dielectric coating 11 into all mesh layers present. The aperture 14 allows access of the sample to the sample flow channel 30, which directs the sample to the electrodes 4, 5, 5a. In the embodiments of the invention shown in Figs. 4A-4F, the aperture 14 is 2.35 mm wide by 3.35 mm long, and the total area beneath the aperture 14 is 6.7 mm<sup>2</sup>. In Figs. 4A-4F, the non-occluded areas within the apertures are as follows: Fig. 4A, 1.28 mm<sup>2</sup>; Fig. 4B, 2.73 mm<sup>2</sup>; Fig. 4C, 0.76 mm<sup>2</sup>; Fig. 4D, 2.05 mm<sup>2</sup>; Fig. 4E, 1.61 mm<sup>2</sup>; and Fig. 4F, 0.67 mm<sup>2</sup>.

**[0043]** Figs. 5A and 5B depict a preferred embodiment of the invention. In Fig. 5A, an oval-shaped aperture 14 in the cover layer 13 exposes a sample flow channel 30 and a portion of the dielectric coating 11 that forms the sample flow channel 30. In Fig. 5B, the cover layer 13 has been removed to show the mesh layer 10 and electrodes 4, 5, 5a.

**[0044]** The following examples are intended to be illustrative and not limiting of the invention.

## Examples

[0045] Low volume electrode strips were constructed with a single mesh layer (NY151, Open area 37%, mesh count 41/cm, thickness 150  $\mu\text{m}$ ) held down with a single layer of dielectric coating (Sericard™). Another set of electrode strips was constructed with two mesh layers. The dielectric coating formed a sample flow channel essentially as shown in Fig.1.

[0046] Venous blood samples were obtained and divided into aliquots. A known amount of glucose was added to each aliquot to make a series of whole blood samples with a range of glucose concentrations between 90 mg/dl (5 mM) and 820 mg/dl (45 mM). A small volume (3-5  $\mu\text{l}$ ) from each aliquot was applied to the sample loading areas of the above-described strips, and to control strips, for comparison. The control strips had two mesh layers and did not have a sample flow channel formed by the dielectric coating occluding part of the mesh layer area. Responses of the strips to the glucose in the samples were measured using a compatible meter system. The measured steady state responses for both the sample and control electrodes were plotted against glucose level. The results are summarized in Table 1. The low volume electrode strips gave a linear glucose response essentially the same as that of the prior art electrode strips. Neither the reduction in sample thickness by the use of a single mesh layer, nor the use of a sample flow channel materially affected the response.

TABLE 1

Glucose mg/dl	Single Mesh Response ( $\mu\text{C}$ )	Double Mesh Response ( $\mu\text{C}$ )
0		
91	9.0	7.8
172	16.4	15.9
272	24.8	25.8
351	31.7	31.0
441	36.8	40.8
533	44.1	48.4
641	50.9	52.9
715	52.8	57.0
820	57.1	62.9

[0047] Low volume electrode strips, made as described above, were tested using capillary blood (between 5 and 10  $\mu\text{l}$ ) from the fingers of over fifty diabetic patients presenting with a range of blood glucose values between 4 and 27 mM (70 and 500 mg/dl). The calibrated steady state responses given by the electrodes, measured using an appropriate meter (Medisense QID™) were compared against those of a reference whole blood value from a standard laboratory reference analyzer (Yellow Springs, Inc.). The results are plotted in Fig. 3. A linear response from the low volume strips was obtained over this glucose range. Response variability was low, as shown by the small amount of scatter about the linear regression line.

[0048] Responses of low volume electrode strips and control strips were compared using blood sample volumes of 10, 5, 4, 3, and 2  $\mu\text{l}$ . Ten replicate samples were applied to each type of electrode strip at each volume. The electrode response, and the number of electrodes giving a measurement response, were measured for each sample volume. The results are summarized in Tables 2 and 3.

TABLE 2

Sample Volume ( $\mu\text{l}$ )	Low Vol. Strip Response ( $\mu\text{C}$ )	Control Strip Response ( $\mu\text{C}$ )
10	12.5	18.2
5	12.3	12.4
4	13.4	13.1
3	11.9	10.2
2	11.7	

TABLE 3

Number of Strips Giving a Measurement Response		
Sample Volume (μl)	Low Vol. Strip	Control Strip
10	10/10	10/10
5	10/10	10/10
4	10/10	8/10
3	10/10	3/10
2	7/10	0/10

[0049] The low volume electrode strips continued to give a response even at 2.0 μl, whereas the control strips did not. This demonstrated that the reduced dead volume of the electrode strips of this invention allowed more of the sample to travel to the electrode area and cover the working and reference electrodes. Samples that were too small to completely cover the working electrode area did give a response.

[0050] Other embodiments are within the following claims.

#### Claims

1. Elongated electrode strip for performing an electrochemical measurement of an analyte in whole blood or in an aqueous sample, comprising electrodes for performing the measurement, wherein said electrodes are covered with a mesh layer that extends a distance beyond the electrodes along the length of the strip, said mesh being covered by a liquid impervious layer in which there is an aperture that does not overlay the electrodes, **characterized in that** a partial occlusion of said mesh underlays said aperture, which partial occlusion reduces the total volume of blood or aqueous sample needed to perform the measurement.
2. The elongate electrode strip of claim 1, wherein at least 50% of the mesh area underlying the aperture is occluded.
3. The electrode strip of claim 2, wherein a whole blood sample of 2.5 microliters provides sufficient volume of sample to reach the electrodes and cause a measurement.
4. The electrode strip of claim 1 for use in an electrochemical sensor for measuring an analyte in an aqueous sample, comprising:
  - an electrode support;
  - a working electrode and a reference electrode forming an electrode arrangement on said support, wherein said working electrode has an upstream end and a downstream end, and said reference electrode is adjacent to said downstream end of said working electrode;
  - a hydrophilic mesh layer overlaying a sample loading area and said electrode arrangement, said sample loading area being adjacent to said upstream end of said working electrode;
  - a cover layer defining an upper boundary of a cell volume encompassing said electrode arrangement;
  - an aperture in said cover layer, said aperture being located above said sample loading area and being of a size sufficiently large to allow sufficient volume of sample to pass through to the mesh layer, with no portion of said aperture located above said electrode arrangement;
  - a dielectric coating impregnated into peripheral regions of said mesh layer, thereby forming an occluded region of said mesh layer and defining side boundaries of said cell volume, said occluded region overlaying no portion of said electrode arrangement;

wherein said mesh layer draws said aqueous sample from said sample loading area onto said electrode arrangement, wherein said aqueous sample contacts said working electrode and said reference electrode, **characterized in that:** said occluded region overlays a portion of said sample loading area which lies beneath said aperture.

5. The electrode strip of claim 4, wherein said electrode arrangement further comprises a dummy electrode.
6. The electrode strip of claim 4, comprising one mesh layer.
- 5 7. The electrode strip of claim 4, comprising two or more mesh layers.
8. The electrode strip of claim 4, wherein the total thickness of said mesh layer is between 40 and 200  $\mu\text{m}$ .
9. The electrode strip of claim 4, wherein said mesh layer comprise an inherently hydrophilic mesh material.
- 10 10. The electrode strip of claim 4, wherein said hydrophilic mesh layer comprise a mesh material coated with a surfactant.
11. The electrode strip of claim 10, wherein said surfactant is a solution of a fluoroaliphatic oxyethylene adduct, lower polyethylene glycols, 1,4-dioxane and water.
- 15 12. The electrode strip of claim 11, wherein said mesh material is woven nylon.
13. The electrode strip of claim 4, wherein said mesh layer comprise a woven mesh material having an open area of about 40 to 45%, a mesh count of about 95 to about 115 strands per centimeter, a strand diameter of about 20 to 40  $\mu\text{m}$ , and a thickness of from about 40 to about 60  $\mu\text{m}$ .
- 20 14. The electrode strip of claim 4, wherein said cover layer is substantially impermeable to aqueous liquids.
- 25 15. The electrode strip of claim 14, wherein said cover layer consists essentially of a polyester membrane.
16. The electrode strip of claim 4, wherein said electrode strip is between 4.5 and 6.5 mm wide.
17. The electrode strip of claim 16, wherein said aperture has a width between 2.5 and 3.5 mm and a length between 2.5 and 3.5 mm.
- 30 18. The electrode strip of claim 4, wherein said dielectric coating is hydrophobic.
19. The electrode strip of claim 4, wherein said occluded region forms a V-shaped sample flow channel in the sample loading area, wherein said V-shaped flow channel widens in the direction of said electrode arrangement.
- 35 20. The electrode strip of claim 19, wherein said V-shaped sample flow channel represents between 10 and 50% of the mesh layer area within said aperture.
- 40 21. The electrode strip of claim 4, wherein said dielectric coating has a color that contrasts with the color of said cover layer.
22. The electrode strip of claim 4, wherein said dielectric coating has a color that contrasts with the color of said cover electrode support.
- 45

#### Patentansprüche

- 50 1. Ein verlängerter Elektrodenstreifen zur Durchführung einer elektrochemischen Messung eines Analyten im Vollblut oder in einer wässrigen Lösung, der Elektroden zum Durchführen der Messung umfasst,  
 worin die Elektroden von einer Maschenschicht bedeckt sind, die sich um eine Strecke über die Elektroden hinaus an der Länge der Streifen entlang erstreckt, wobei die Masche von einer gegenüber Flüssigkeiten undurchlässigen Schicht bedeckt wird, in der es eine Öffnung gibt, die nicht über den Elektroden liegt, **dadurch gekennzeichnet, dass** eine partielle Okklusion der Masche unter der Öffnung liegt, wobei die partielle Okklusion das Gesamtvolumen des Blutes oder der wässrigen Probe reduziert, die nötig ist, um die Messung durchzuführen.
- 55 2. Der verlängerte Streifen nach Anspruch 1, worin mindestens 50% der Maschenfläche, die unter der Öffnung liegt, okkludiert ist.



EP 1 009 850 B1

3. Der Elektrodenstreifen nach Anspruch 2, worin eine Vollblutprobe von 2,5 Mikrolitern ein ausreichendes Volumen an Probe bereitstellt, um die Elektroden zu erreichen und eine Messung zu veranlassen.
4. Der Elektrodenstreifen nach Anspruch 1 zur Verwendung in einem elektrochemischen Sensor für die Messung eines Analyten in einer wässrigen Probe, der umfasst:
- 5
- einen Elektrodenträger,  
eine Arbeitselektrode und eine Bezugelektrode, die eine Elektrodenanordnung auf dem Träger bilden, worin die Arbeitselektrode über ein stromaufwärts und ein stromabwärts befindliches Ende verfügt, und wobei die  
10 Bezugselektrode am stromabwärts befindlichen Ende der Arbeitselektrode angrenzt;  
eine hydrophile Maschenschicht, die über einem Probenladeabschnitt und der Elektrodenanordnung liegt, wobei der Probenladeabschnitt am stromaufwärts befindlichen Ende der Arbeitselektrode angrenzt;  
eine Deckschicht, die eine obere Grenzfläche eines Zellvolumens bestimmt, das die Elektrodenanordnung umgibt;  
15 eine Öffnung in der Deckschicht, wobei die Öffnung über dem Probenladeabschnitt befindlich ist und eine Größe hat, die genügt, um zu erlauben, dass ein ausreichendes Volumen an Probe durch die Maschenschicht dringt, wobei kein Abschnitt der Öffnung über der Elektrodenanordnung angeordnet ist;  
ein dielektrischer Überzug, der in peripheren Bereichen der Maschenschicht imprägniert ist, wodurch ein okkludierter Bereich der Maschenschicht gebildet wird und Seitengrenzflächen des Zellvolumens bestimmt werden, wobei der okkludierte Bereich über keinem Abschnitt der Elektrodenanordnung liegt;  
20
- worin die Maschenschicht die wässrige Lösung aus dem Probenladeabschnitt auf die Elektrodenanordnung zieht, worin die wässrige Lösung die Arbeitselektrode und die Bezugelektrode kontaktiert,  
dadurch gekennzeichnet, dass der okkludierte Bereich über einem Abschnitt des Probenladeabschnitts  
25 liegt, der unter der Öffnung liegt.
5. Der Elektrodenstreifen nach Anspruch 4, worin die Elektrodenanordnung weiterhin eine Blindelektrode umfasst.
6. Der Elektrodenstreifen nach Anspruch 4, der eine Maschenschicht umfasst.
- 30
7. Der Elektrodenstreifen nach Anspruch 4, der zwei oder mehrere Maschenschichten umfasst.
8. Der Elektrodenstreifen nach Anspruch 4, worin die Gesamtdicke der Maschenschicht zwischen 40 und 200  $\mu\text{m}$  ist.
- 35
9. Der Elektrodenstreifen nach Anspruch 4, worin die Maschenschicht ein inhärent hydrophiles Maschenmaterial umfasst.
10. Der Elektrodenstreifen nach Anspruch 4, worin die hydrophile Maschenschicht ein Maschenmaterial umfasst, das mit einem Tensid beschichtet ist.
- 40
11. Der Elektrodenstreifen nach Anspruch 10, worin das Tensid eine Lösung aus einem fluoroaliphatischen Oxyethylen-Addukt, niedrigen Polyethylenglycolen, 1,4-dioxan und Wasser ist.
12. Der Elektrodenstreifen nach Anspruch 11, worin das Maschenmaterial gewebtes Nylon ist.
- 45
13. Der Elektrodenstreifen nach Anspruch 4, worin die Maschenschicht ein gewebtes Maschenmaterial umfasst, das eine offene Fläche von etwa 40 bis 45%, eine Maschenzahl von etwa 95 bis 115 Fasern pro Zentimeter, einen Faserdurchmesser von etwa 20 bis 40  $\mu\text{m}$  und eine Dicke von etwa 40 bis 60  $\mu\text{m}$  hat.
- 50
14. Der Elektrodenstreifen nach Anspruch 4, worin die Deckschicht im wesentlichen für wässrige Lösung undurchlässig ist.
15. Der Elektrodenstreifen nach Anspruch 14, worin die Deckschicht im wesentlichen aus einer Polyestermembran besteht.
- 55
16. Der Elektrodenstreifen nach Anspruch 4, worin der Elektrodenstreifen zwischen 4,5 und 6,5 mm breit ist.
17. Der Elektrodenstreifen nach Anspruch 16, worin die Öffnung eine Breite zwischen 2,5 und 3,5 mm und eine Länge

zwischen 2,5 und 3,5 mm hat.

18. Der Elektrodenstreifen nach Anspruch 4, worin der dielektrische Überzug hydrophob ist.
- 5 19. Der Elektrodenstreifen nach Anspruch 4, worin der okkludierte Bereich einen V-förmigen Probenflusskanal im Probenladeabschnitt bildet, worin sich der V-förmige Flusskanal in Richtung der Elektrodenanordnung erweitert.
20. Der Elektrodenstreifen nach Anspruch 19, worin der V-förmige Probenflusskanal zwischen 10 und 50% der Maschenschichtfläche innerhalb der Öffnung darstellt.
- 10 21. Der Elektrodenstreifen nach Anspruch 4, worin der dielektrische Überzug eine Farbe hat, die mit der Farbe der Deckschicht in Kontrast steht.
22. Der Elektrodenstreifen nach Anspruch 4, worin der dielektrische Überzug eine Farbe hat, die mit der Farbe des Deckelektrodensträgers in Kontrast steht.
- 15

#### Revendications

- 20 1. Bande d'électrode allongée pour effectuer une mesure électrochimique d'un analyte dans le sang complet ou dans un échantillon aqueux, comprenant des électrodes pour effectuer la mesure, dans laquelle lesdites électrodes sont recouvertes d'une couche à mailles qui s'étend à une distance au-delà des électrodes le long de la longueur de la bande, lesdites mailles étant recouvertes d'une couche imperméable aux liquides dans laquelle il y a une
- 25 ouverture qui ne recouvre pas les électrodes, caractérisée en ce qu'une occlusion partielle desdites mailles se trouve sous ladite ouverture, l'occlusion partielle réduit le volume total de sang ou de l'échantillon aqueux nécessaire pour effectuer la mesure.
2. Bande d'électrode allongée de la revendication 1, dans laquelle au moins 50 % de la surface de mailles se trouvant sous l'ouverture est bouchée.
- 30 3. Bande d'électrode de la revendication 2, dans laquelle un échantillon de sang complet de 2,5 microlitres fournit un volume suffisant d'échantillon pour atteindre les électrodes et provoquer une mesure.
4. Bande d'électrode de la revendication 1 pour l'utilisation dans un capteur électrochimique pour mesurer un analyte dans un échantillon aqueux, comprenant :
- 35
- un support d'électrode ;
  - une électrode de travail et une électrode de référence formant un dispositif d'électrode sur ledit support, dans laquelle ladite électrode de travail présente une extrémité en amont et une extrémité en aval, et ladite électrode de référence est adjacente à ladite extrémité en aval de ladite électrode de travail ;
  - 40 une couche à mailles hydrophile recouvrant une surface de charge d'échantillon et ledit dispositif d'électrode, ladite surface de charge d'échantillon étant adjacente à ladite extrémité en amont de ladite électrode de travail ;
  - une couche de couverture définissant une limite supérieure d'un volume de cellule enfermant ledit dispositif d'électrode ;
  - 45 une ouverture dans ladite couche de couverture, ladite ouverture étant située au-dessus de ladite surface de charge d'échantillon et étant d'une taille suffisamment grande pour permettre à un volume suffisant d'échantillon de passer à travers la couche à mailles, avec aucune partie de ladite ouverture n'étant située au-dessus dudit arrangement d'électrode ;
  - un revêtement diélectrique imprégné dans des régions périphériques de ladite couche à mailles, en formant ainsi une région bouchée de ladite couche à mailles et définissant des limites latérales dudit volume de cellule, ladite région bouchée ne recouvrant pas de partie dudit dispositif d'électrode ;
- 50
- où ladite couche à mailles aspire ledit échantillon aqueux à partir de ladite surface de charge d'échantillon sur ledit dispositif d'électrode, où ledit échantillon aqueux est en contact avec ladite électrode de travail et ladite électrode de référence,
- 55 caractérisée en ce que : ladite région bouchée recouvre une partie de ladite surface de charge de l'échantillon qui se trouve sous ladite ouverture.

**EP 1 009 850 B1**

5. Bande d'électrode selon la revendication 4, dans laquelle ledit arrangement d'électrode comprend en outre une pseudo électrode.
- 5 6. Bande d'électrode selon la revendication 4, comprenant une couche à mailles.
7. Bande d'électrode selon la revendication 4, comprenant deux couches à mailles ou plus.
8. Bande d'électrode selon la revendication 4, dans laquelle l'épaisseur totale de ladite couche à mailles est entre 40 et 200  $\mu\text{m}$ .
- 10 9. Bande d'électrode selon la revendication 4, dans laquelle ladite couche à mailles comprend un matériau à mailles hydrophile de manière inhérente.
10. Bande d'électrode selon la revendication 4, dans laquelle ladite couche à mailles hydrophile comprend un matériau à mailles revêtu d'un tensioactif.
- 15 11. Bande d'électrode selon la revendication 10, dans laquelle ledit tensioactif est une solution d'un produit d'addition d'oxyéthylène fluoroaliphatique, de polyéthylèneglycols inférieurs, de 1,4-dioxane et d'eau.
- 20 12. Bande d'électrode selon la revendication 11, dans laquelle ledit matériau à mailles est du nylon tissé.
13. Bande d'électrode selon la revendication 4, dans laquelle ladite couche à mailles comprend un matériau à mailles tissé ayant une surface ouverte d'environ 40 à 45 %, un compte de mailles d'environ 95 à environ 115 brins par centimètre, un diamètre de brin d'environ 20 à 40  $\mu\text{m}$ , et une épaisseur d'environ 40 à environ 60  $\mu\text{m}$ .
- 25 14. Bande d'électrode selon la revendication 4, dans laquelle ladite couche de couverture est sensiblement imperméable aux liquides aqueux.
15. Bande d'électrode selon la revendication 14, dans laquelle ladite couche de couverture consiste essentiellement en une membrane de polyester.
- 30 16. Bande d'électrode selon la revendication 4, dans laquelle ladite bande d'électrode est entre 4,5 et 6,5 mm de large.
17. Bande d'électrode selon la revendication 16, dans laquelle ladite ouverture a une largeur entre 2,5 et 3,5 mm et une longueur entre 2,5 et 3,5 mm.
- 35 18. Bande d'électrode selon la revendication 4, dans laquelle ledit revêtement diélectrique est hydrophobe.
19. Bande d'électrode selon la revendication 4, dans laquelle ladite région bouchée forme un canal de circulation d'échantillon en forme de V dans la surface de charge de l'échantillon, où ledit canal de circulation en forme de V s'élargit en direction dudit dispositif d'électrode.
- 40 20. Bande d'électrode selon la revendication 19, dans laquelle ledit canal de circulation d'échantillon en forme de V représente entre 10 et 50% de la surface de couche à mailles dans ladite ouverture.
- 45 21. Bande d'électrode selon la revendication 4, dans laquelle ledit revêtement diélectrique a une couleur qui contraste avec la couleur de ladite couche de couverture.
- 50 22. Bande d'électrode selon la revendication 4, dans laquelle ledit revêtement diélectrique a une couleur qui contraste avec la couleur dudit support d'électrode couvert.
- 55

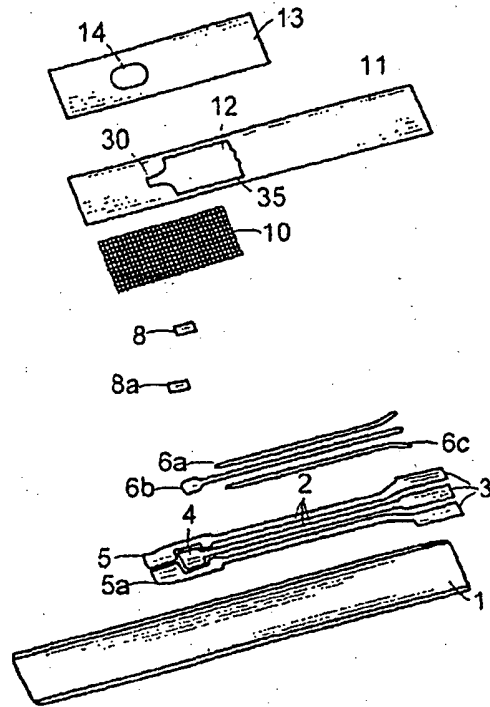


FIG. 1

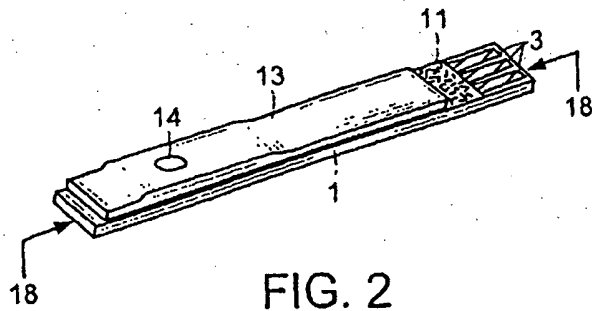


FIG. 2

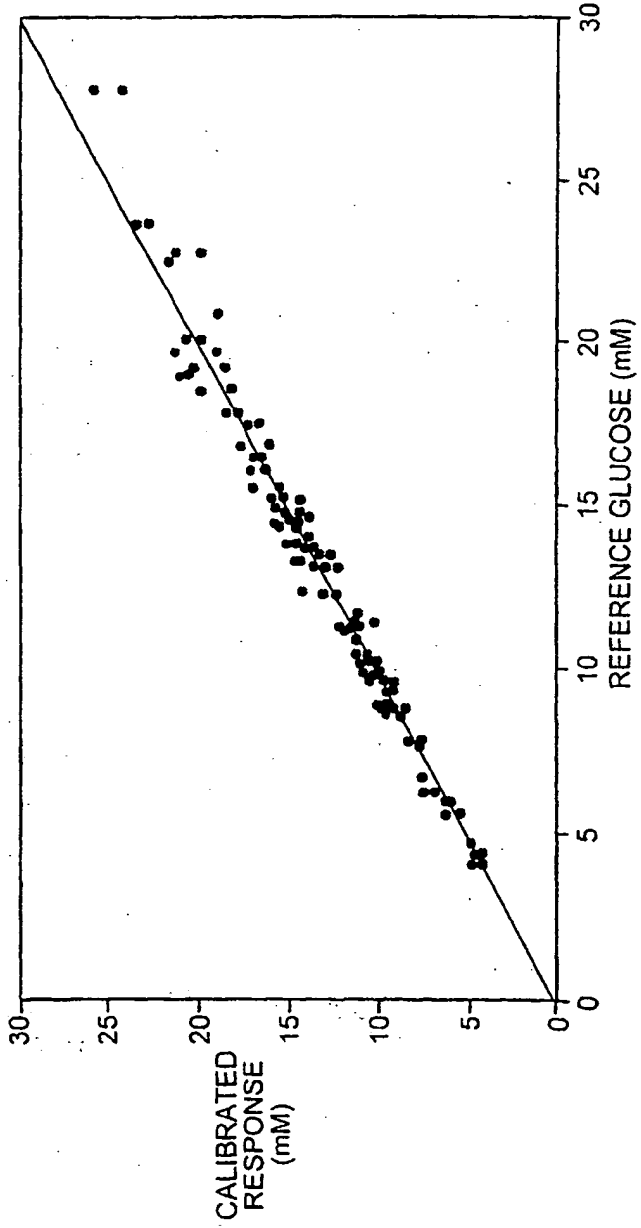


FIG. 3

BEST AVAILABLE COPY

FIG. 4A

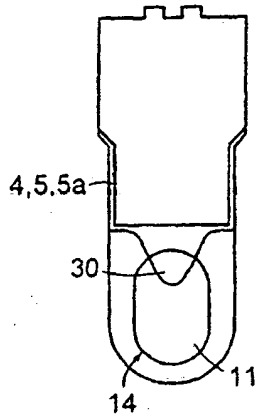


FIG. 4B

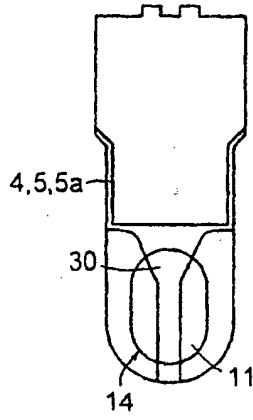


FIG. 4C

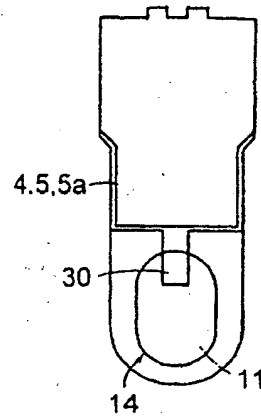


FIG. 4D

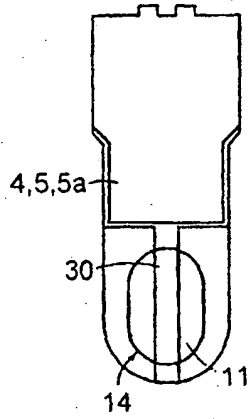


FIG. 4E

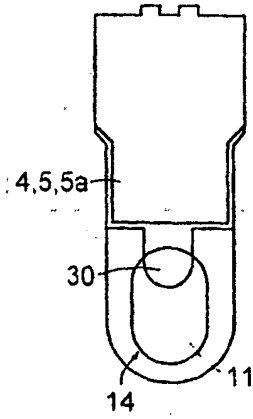
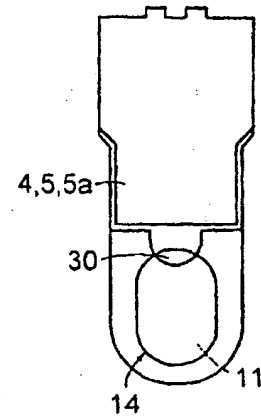


FIG. 4F



BEST AVAILABLE COPY

FIG. 5A

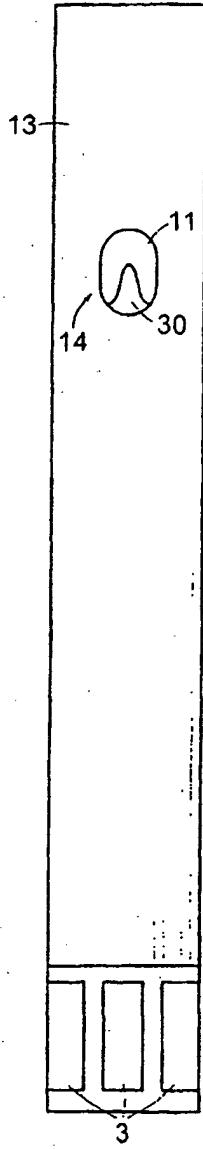
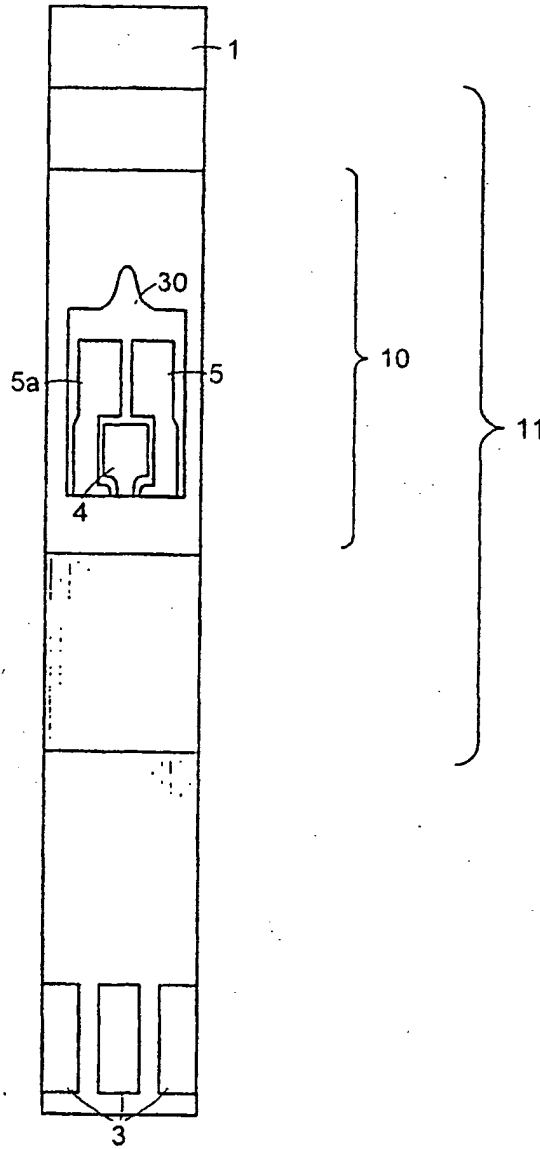


FIG. 5B



BEST AVAILABLE COPY

This Page Blank (uspto)



**This Page is Inserted by IFW Indexing and Scanning  
Operations and is not part of the Official Record**

**BEST AVAILABLE IMAGES**

Defective images within this document are accurate representations of the original documents submitted by the applicant.

Defects in the images include but are not limited to the items checked:

- BLACK BORDERS**
- IMAGE CUT OFF AT TOP, BOTTOM OR SIDES**
- FADED TEXT OR DRAWING**
- BLURRED OR ILLEGIBLE TEXT OR DRAWING**
- SKEWED/SLANTED IMAGES**
- COLOR OR BLACK AND WHITE PHOTOGRAPHS**
- GRAY SCALE DOCUMENTS**
- LINES OR MARKS ON ORIGINAL DOCUMENT**
- REFERENCE(S) OR EXHIBIT(S) SUBMITTED ARE POOR QUALITY**
- OTHER:** \_\_\_\_\_

**IMAGES ARE BEST AVAILABLE COPY.**

**As rescanning these documents will not correct the image problems checked, please do not report these problems to the IFW Image Problem Mailbox.**

**This Page Blank (uspto)**